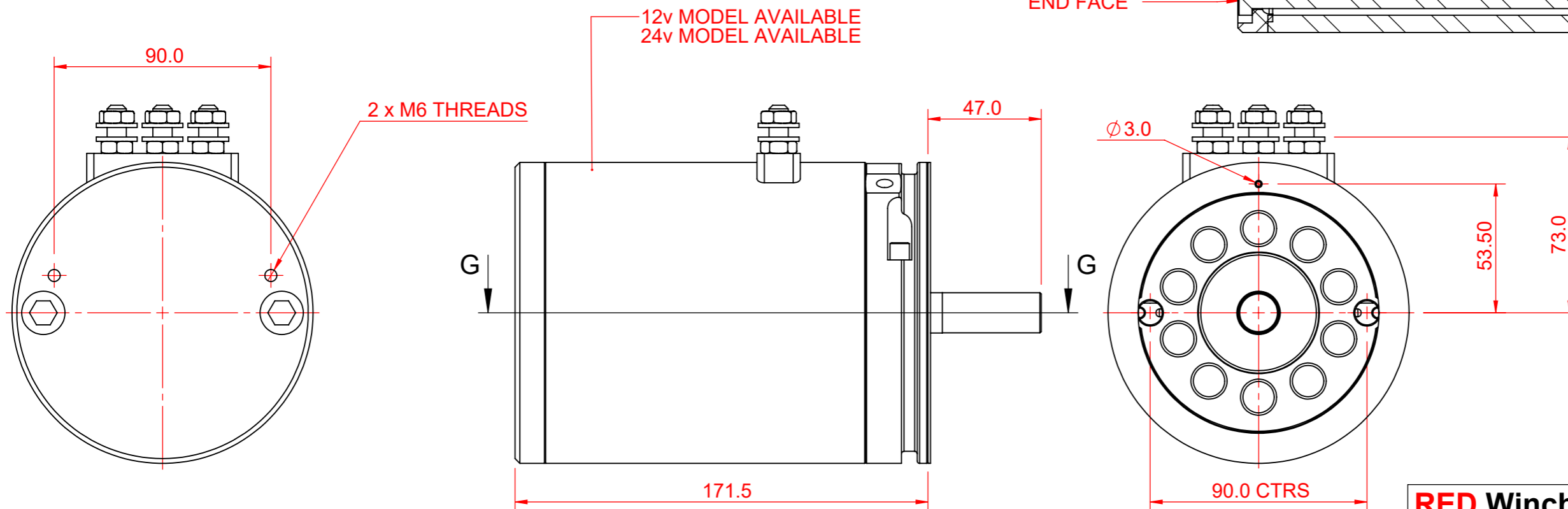
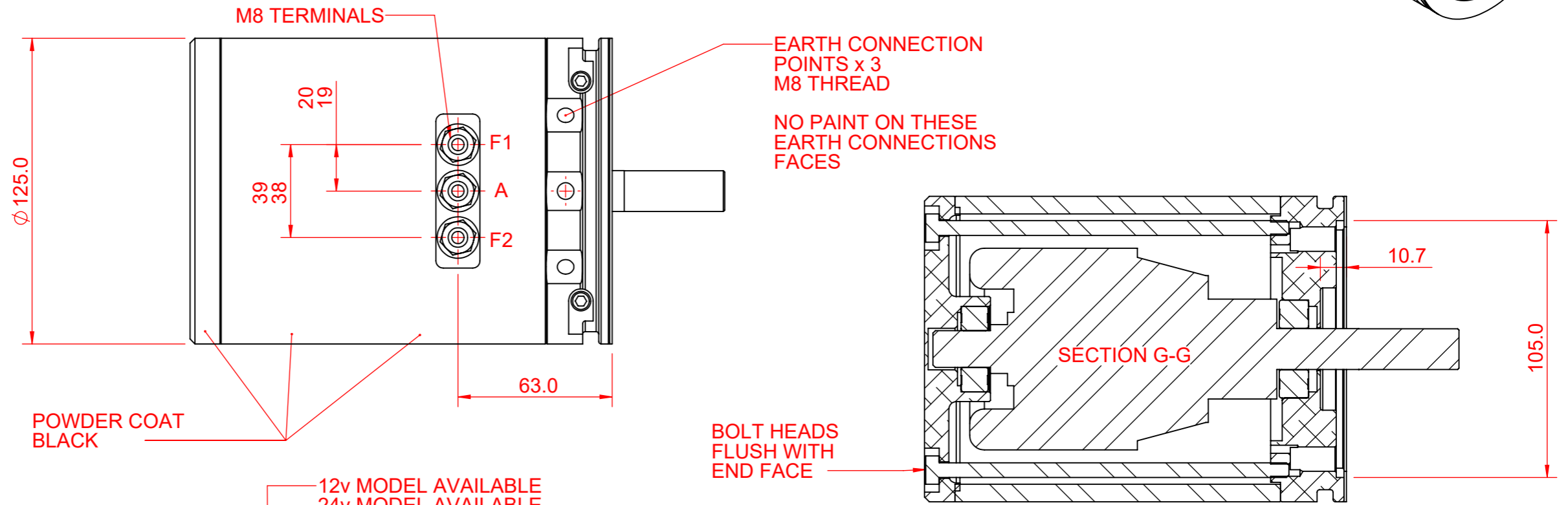
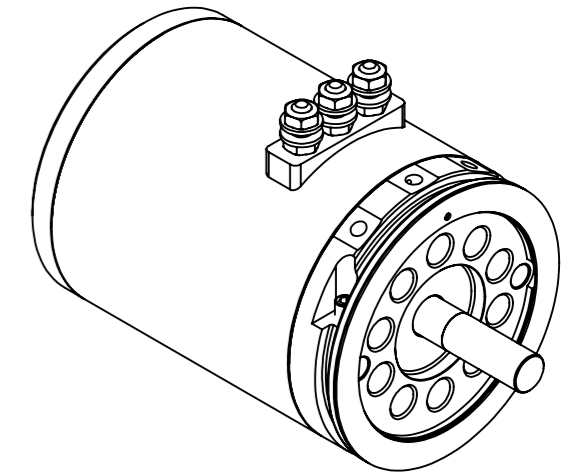


Motor	Motor Rated Voltage	Voltage Supplied to Motor	Single or Double Motor Winch	Measured Load (kg) Inline (Skid Weight 2500kg)	AMPS Drawn	VOLTS Under Load (Measured)
OX Motor	12	12	Double	1580	805	11.5
OX Motor	12	24	Double	1580	800	19.5
Motor	Motor Rating Voltage	Voltage Supplied	Single or Double Motor	Measured Load (kg) Inline (Skid Weight 1900kg)	AMPS Drawn	VOLTS Under Load (Measured)
OX Motor	12	24	Double	1150	600	20



TITLE OX MOTOR
THE NEW COMPETITION WINCH MOTOR, 7HP, QUICK RELEASE SYSTEM

Telephone: +44 (0)1460 67744
Email: sales@red-winches.com

RED Winches www.red-winches.com
ULTIMATE PERFORMANCE PRODUCTS

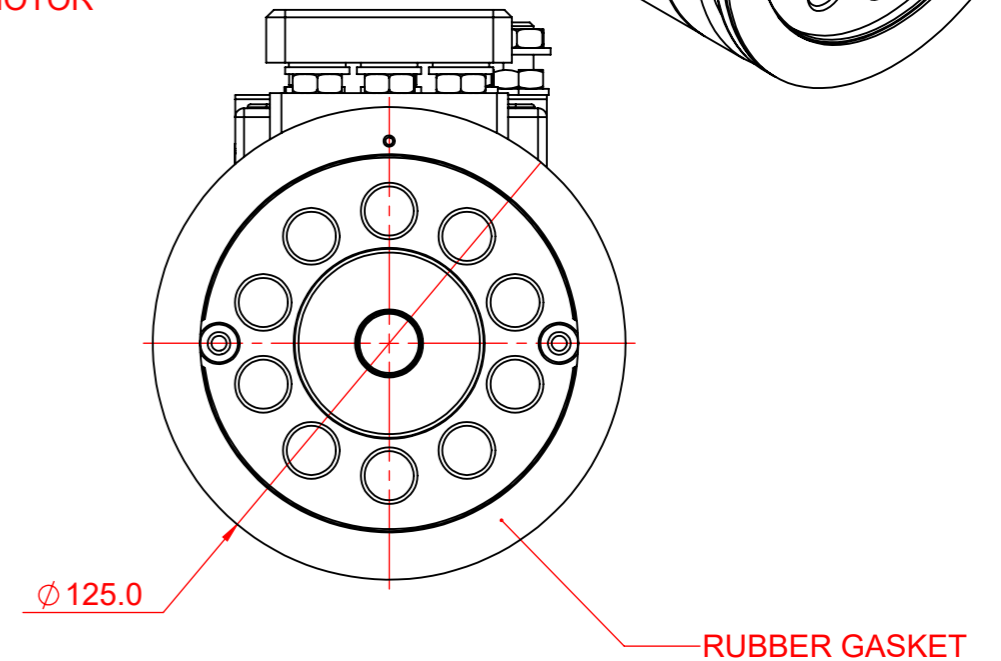
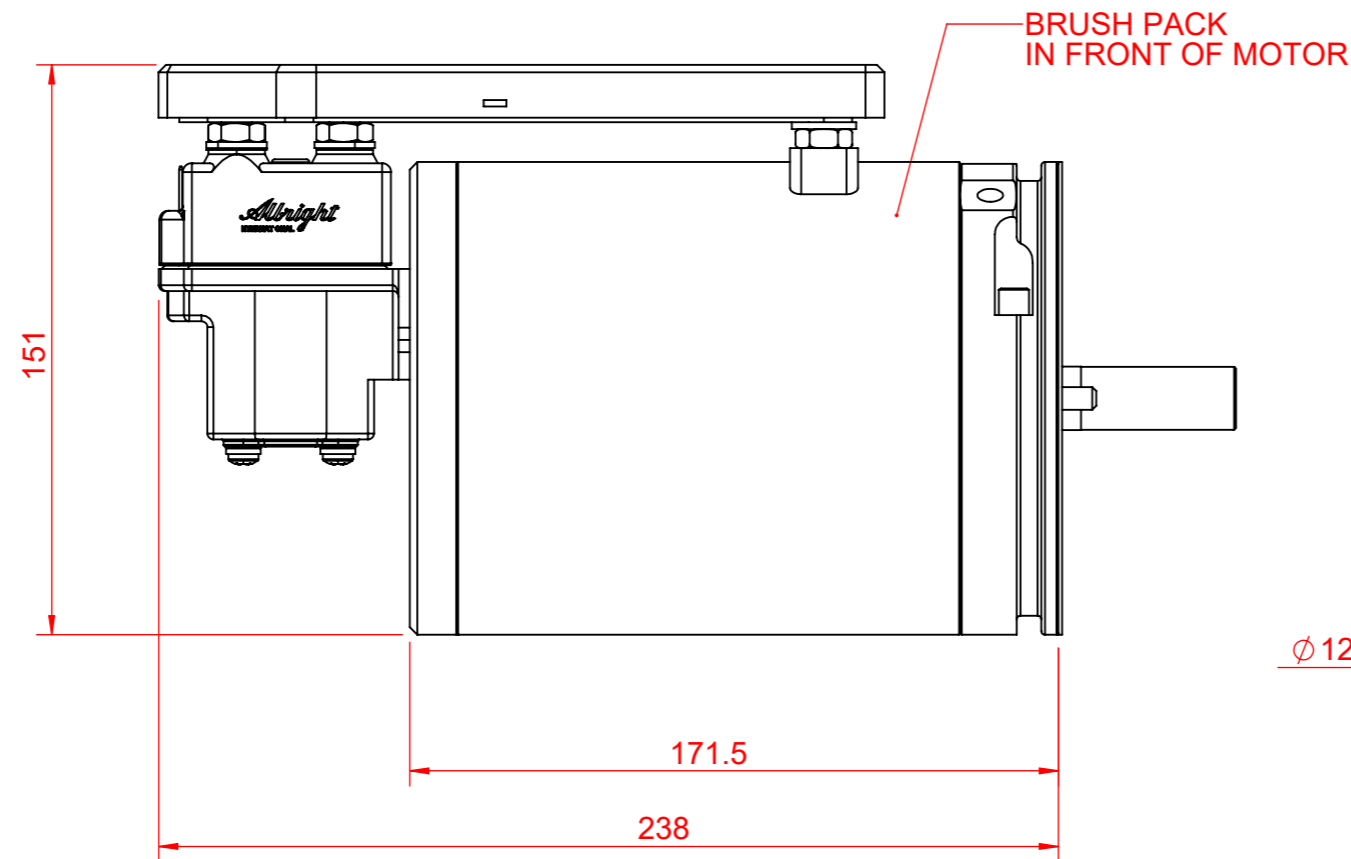
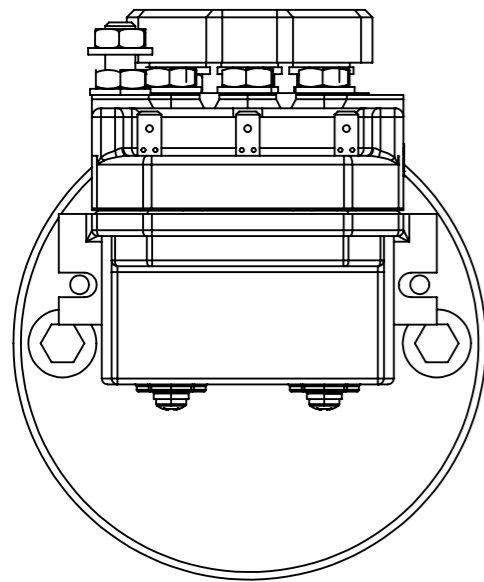
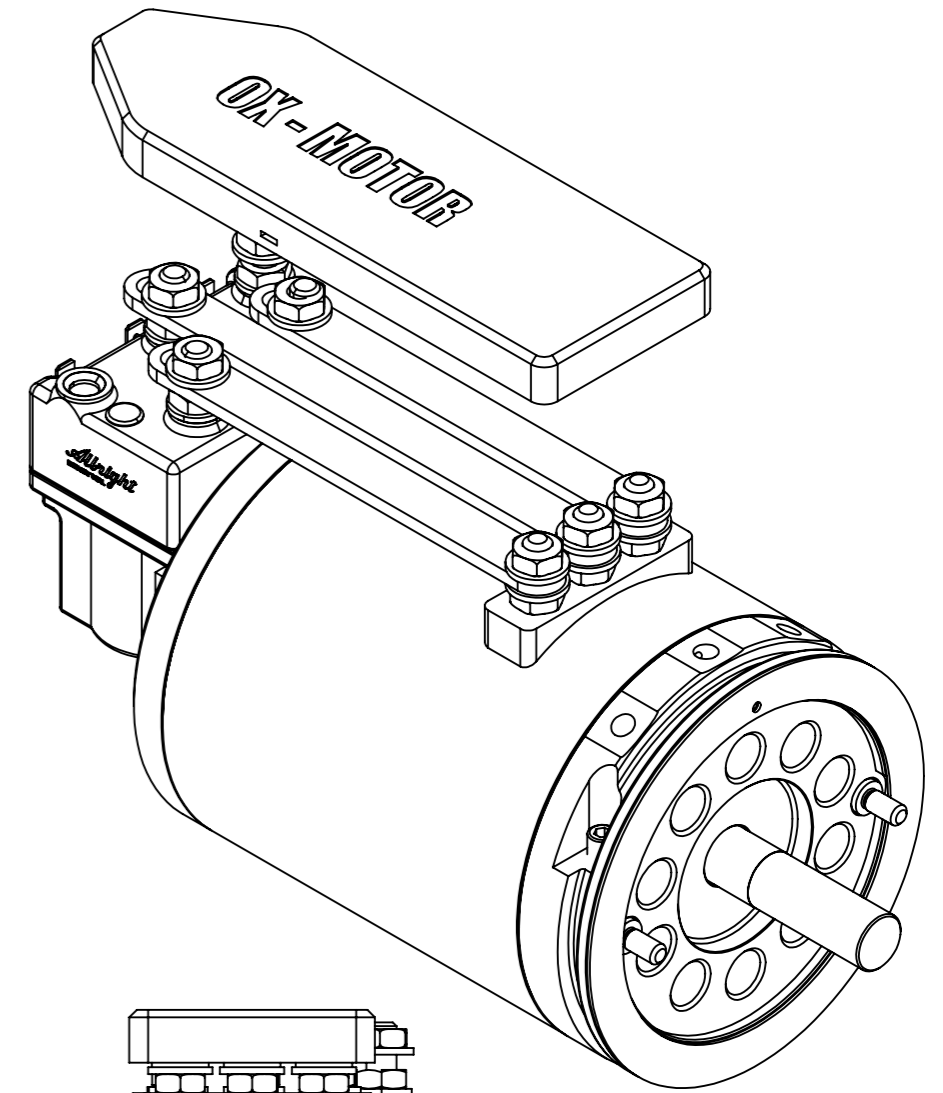
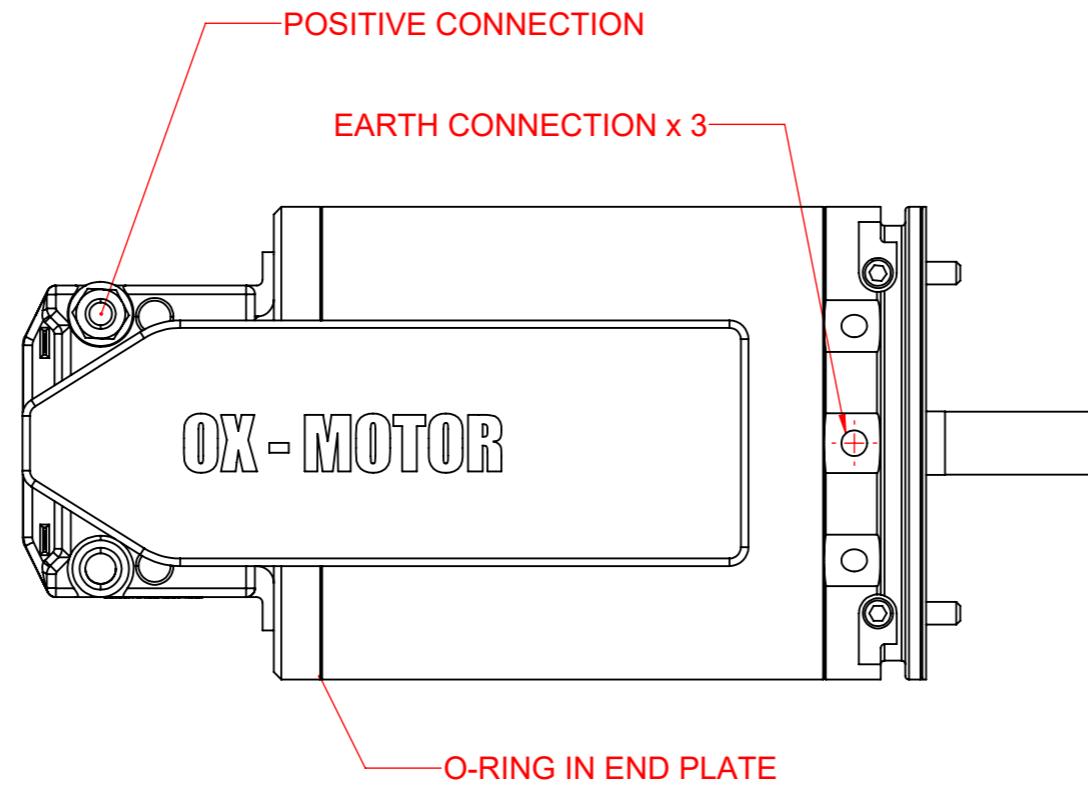
DRAWING NUMBER: MANUAL - OX MOTOR

SCALE: 1:2 SHT 1 OF 3

Drawing not to be reproduced or distributed in any format or method without specific permission from Redstart/Design.

DRAWING SHOWS OX MOTOR WITH OPTIONAL EXTRAS FITTED:

- ALBRIGHT: 1000 SERIES
- COPPER BUS BARS
- BUS BAR COVER



TITLE OX MOTOR
THE NEW COMPETITION WINCH MOTOR, 7HP, QUICK RELEASE SYSTEM

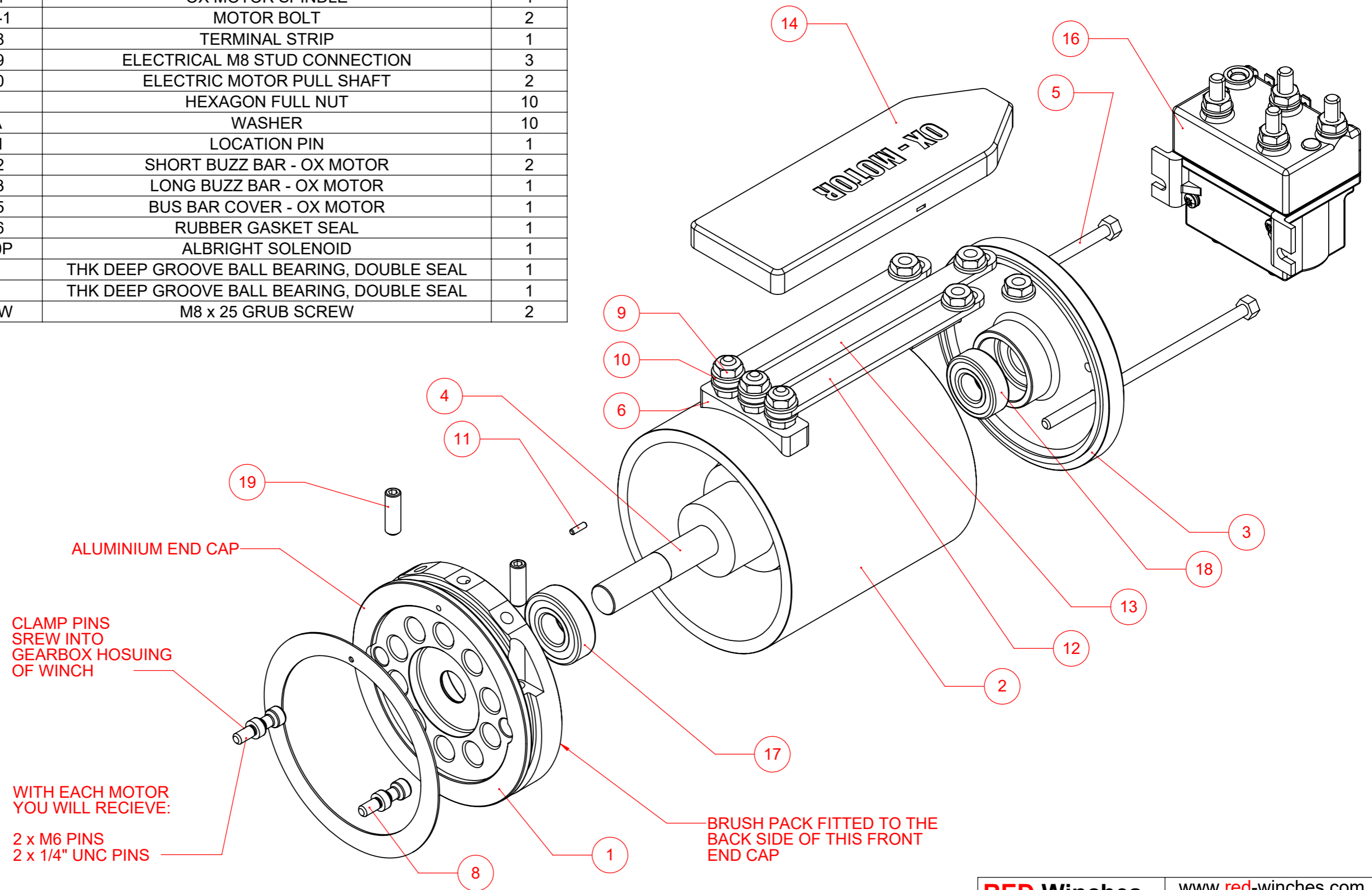
Telephone: +44 (0)1460 67744
Email: sales@red-winches.com

RED Winches www.red-winches.com
ULTIMATE PERFORMANCE PRODUCTS

DRAWING NUMBER: MANUAL - OX MOTOR SCALE: 1:2 SHT 2 OF 3

Drawing not to be reproduced or distributed in any format or method without specific permission from Redstart/Design.

ITEM NO.	PART / DRG NUMBER	DESCRIPTION	Default/Q TY.
1	RWM-MD-01B	MOTOR END PLATE - DRIVE SHAFT	1
2	RWM-MD-02	MOTOR TUBE BODY	1
3	RWM-MD-03	MOTOR END CAP	1
4	RWM-MD-04	OX MOTOR SPINDLE	1
5	RWM-MD-07-1	MOTOR BOLT	2
6	RWM-MD-08	TERMINAL STRIP	1
7	RWM-MD-09	ELECTRICAL M8 STUD CONNECTION	3
8	RWM-MD-10	ELECTRIC MOTOR PULL SHAFT	2
9	M8	HEXAGON FULL NUT	10
10	M8 FORM A	WASHER	10
11	RWM-MD-11	LOCATION PIN	1
12	RWM-MD-12	SHORT BUZZ BAR - OX MOTOR	2
13	RWM-MD-13	LONG BUZZ BAR - OX MOTOR	1
14	RWM-MD-15	BUS BAR COVER - OX MOTOR	1
15	RWM-MD-16	RUBBER GASKET SEAL	1
16	DC0088-1000P	ALBRIGHT SOLENOID	1
17	6203	THK DEEP GROOVE BALL BEARING, DOUBLE SEAL	1
18	6202	THK DEEP GROOVE BALL BEARING, DOUBLE SEAL	1
19	GRUB SCREW	M8 x 25 GRUB SCREW	2



TITLE **OX MOTOR**
THE NEW COMPETITION WINCH MOTOR, 7HP, QUICK RELEASE SYSTEM

Telephone: +44 (0)1460 67744
Email: sales@red-winches.com

RED Winches www.red-winches.com
ULTIMATE PERFORMANCE PRODUCTS

DRAWING NUMBER: **MANUAL - OX MOTOR** SCALE: 1:2 SHT 3 OF 3

Drawing not to be reproduced or distributed in any format or method without specific permission from Redstart/Design.